











LED LIGHTING
PERFORMANCE RANGE






	Part Number	Actual Wattage (W)	Equivalent Wattage (W)	Luminous flux (lm)	Functional Lumen 90° Cone**(lm)	Luminous efficacy (lm/W)	Luminous intensity (cd)	Beam angle (°)	CCT (K)	Power Factor	Lifetime (hours)	Dimmable	Energy Efficiency Class
PAR16													
Socket: GU10				Voltage: 220-240V				CRI*: ≥80					
	52504	4.0	38	300	250	63	480	35	3000	≥0.47	25,000	No	A+
	52301	7.0	51	420	350	50	680	36	3000 4000	≥0.70	30,000	Yes	A
	52302	7.0	53	440	370	53	690						
	52312	6.0	57	420	400	67	1000	35	2700	≥0.70	40,000	Yes	A+
	52307	6.0	61	450	430	72	1100		3000	≥0.70	40,000	Yes	
	52308	6.0	64	470	450	75	1170		4000	≥0.70	40,000	Yes	
	52306	6.0	61	450	430	72	1100		3000	≥0.80	40,000	No	
	52314	6.0	64	470	450	75	1170		4000	≥0.80	40,000	No	
	52313	8.5	82	620	590	69	1180		2700	≥0.70	30,000	Yes	
	52310	8.5	86	650	620	73	1250		3000	≥0.70	30,000	Yes	
	52311	8.5	91	690	660	78	1340		4000	≥0.70	30,000	Yes	
	52309	8.5	86	650	620	73	1250		3000	≥0.80	30,000	No	
52315	8.5	91	690	660	78	1340	4000	≥0.80	30,000	No			
MR16													
Socket: GU5.3				Voltage: 12V AC/DC				CRI*: ≥80					
	52503	3.7	25	300	250	81	480	35	3000	≥0.70	25,000	No	A+
	52316	5.5	38	420	400	76	1000	35	2700	≥0.90	40,000	Yes	A+
	52317	5.5	40	450	430	82	1100		3000				
	52229	7.0	40	460	440	63	2400	25	2700	≥0.70	25,000	Yes	A
	52230	7.0	42	500	475	68	2500		3000				A+
	52231	7.0	43	510	485	69	2500		4000				A+

For exact colour, high quality LED Lighting



MR16													
Socket: GU5.3				Voltage: 12V AC/DC				CRI*: ≥80 and ≥95					
	52224	6.5	14	180	155	28	300	36	2900	≥0.60	25,000	Yes	A
	52500	6.5	16	190	170	29	570	25	6500	≥0.70	25,000	Yes	A


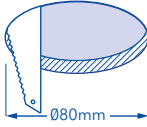

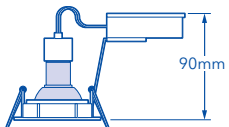

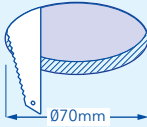

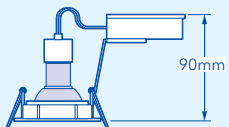
	Part Number	Actual Wattage (W)	Equivalent Wattage (W)	Luminous flux (lm)	Functional Lumen 90° Cone**(lm)	Luminous efficacy (lm/W)	Luminous intensity (cd)	Beam angle (°)	CCT (K)	Power Factor	Lifetime (hours)	Dimmable	Energy Efficiency Class
AR111		Socket: G53			Voltage: 12V AC/DC			CRI*: ≥80					
	52303		70	720	680	60	1250		2700				
	52304	12	80	800	770	67	1400	40	3000	≥0.90	25,000	Yes	A
	52305		85	850	800	71	1450		4000				
PAR30		Socket: E27			Voltage: 220-240V			CRI*: ≥95					
	52042	14.5	71	680	600	41	1300	30	4000	≥0.80	25,000	Yes	A
PAR38		Socket: E27			Voltage: 220-240V			CRI*: ≥70					
	52033	19	119	1250	1030	54	1200	45	4500	≥0.90	25,000	No	A

HIGH CRI >95


INDOOR & OUTDOOR



IP54


Downlight Fittings - Perfect fit for all Verbatim LED PAR16 GU10 lamps.



	Part Number	Product Description	Mounting Diameter	Outer ring diameter	Downlight Depth
	52400	LED Downlight IP23 Twist lock white			
	52401	Twist lock brushed aluminium			
	52402	LED Downlight IP44 Twist lock white			
	52403	Twist lock brushed aluminium			

LED Compatible Electronic Transformer - for 12V LED lamp

	Part Number	Primary voltage range (V)	Frequency (Hz)	Input current (A)	Secondary voltage (V)	Lamp wattage (W)	Efficiency (%)	Power factor	Input capacitance (nF)	Dimming	Dimensions LxWxH (mm)	Weight (g)
	52900	220-240	50/60	0.29	11.5V AC	0-70	>95	>0.99	100	Leading and trailing edge dimmers	113x44x28	80

	Part Number	Actual Wattage (W)	Equivalent Wattage (W)	Luminous flux (lm)	Luminous efficacy (lm/W)	Beam angle (°)	CCT (K)	Power Factor	Lifetime (hours)	Dimmable	Energy Efficiency Class	
Classic A		Socket: E27			Voltage: 220-240V			CRI*: ≥80				
	52220	7.5	41	480	64	220	2700	≥0.75	40,000	Yes	A	
	52225	7.7	42	500	65	220	2700	≥0.85	40,000	Yes	A+	
52227	10.5	60	806	77	240	≥0.90		25,000				
Classic A		Socket: B22			Voltage: 220-240V			CRI*: ≥80				
	52226	7.7	42	500	65	220	2700	≥0.85	40,000	Yes	A+	
	52228	10.5	60	806	77	240	≥0.90	25,000				

	Part Number	Actual Wattage (W)	Equivalent Wattage (W)	Luminous flux (lm)	Luminous efficacy (lm/W)	Beam angle (°)	CCT (K)	Power Factor	Lifetime (hours)	Dimmable	Energy Efficiency Class	
Candle Classic B		Socket: E14			Voltage: 220-240V			CRI*: ≥80				
	52243	2.5	-	50	20	100	1900	≥0.45	25,000	No	B	

	Part Number	Actual Wattage (W)	Luminous flux (lm)	Beam angle (°)	CCT (K)	Diameter (mm)	Length (mm)	Lifetime (hours)	Dimmable	Energy Efficiency Class		
LED T8 Tubes		Socket: G13			Voltage: 220-240V			CRI*: ≥80				
	52700	22	1900	120	3000	28 x 30	1213	40,000	No	A+		
	52701		1950		4000							
	52702		2000		6500							
	52703	2400	3000	28 x 30	1513	40,000	No	A+				
	52704	28	2500						4000			
52705	2600	6500										
	52706	18	2200	120	3000	28	1213	50,000	No	A++		
	52707		2300		4000							
	52708		2300		6500							
	52709	2800	3000	28	1213	50,000	No	A++				
	52710	23	2950						4000			
	52711	2960	6500									

* CRI Colour Rendering Index

** EU Regulation 1194, 2012 Eco Design Requirements state that only luminous flux within a 90° cone is used for the calculation of directional lamps lumen output. Light within the 90° cone is called functional or useful light, any light outside this cone is not considered useful in directional lighting.

